



特殊阀门

SPECIAL VALVE

产 / 品 / 规 / 格 / 书

Product Specification



上海伟伦阀门集团有限公司

SHANGHAI WEILUN VALVE GROUP CO.,LTD

低温闸阀

Low Temperature Gate Valve

在各种类型阀门中，闸阀是应用最广泛的一种。闸阀是指关闭件（闸板）沿通道轴线的垂直方向移动，达到开启或关闭目的的阀门。在管路中主要作为接通或切断介质用，即全开或全闭使用。一般闸阀不可作为节流使用，它可以用于高温和高压，也可以用于低温和低压，并可以用于各种不同介质。闸阀一般用于输送带颗粒、粘稠性、易结疤的介质管道中。

闸阀具有如下优点：

- 1、流体阻力比较小，安全可靠；
- 2、开启或关闭时所需力矩较小；
- 3、可以使用在介质向两个方向流动的环船管路上，也就是说介质的流向不受限制；
- 4、全开时，密封面受工作介质的冲蚀比截止阀小；
- 5、形体比较简单，易于铸造和加工；
- 6、结构长度比较小。

闸阀存在一些缺点，主要是：

- 1、外形尺寸和开启高度都较大，所需安装空间亦较大；
- 2、在启、闭过程中，密封面间有相对摩擦，磨损较大，容易引起擦伤现象；
- 3、一般闸阀都有两个密封副，给加工、研磨个维修增加了一些困难；
- 4、开启、关闭时间长。

技术规范

- 1、设计制造标准：API600、JB/T7749、BS6364
- 2、结构长度：ASME B16.10、GB/T12221
- 3、法兰端：ASME B16.5、GB9113、JB/T79
承插焊端：ASME B16.11
螺纹端：ASME B1.20.1
- 4、压力温度等级：ASME B16.34
- 5、阀门检验和试验：API598
- 6、结构特征：B.B；OS&Y-F.P

Technical Specifications

- 1、Design and manufacture standard:API600、JB/T7749、BS6364
- 2、Face-to-face:ASME B16.10、GB/T12221
- 3、Flanged ends:ASME B16.5、GB9113、JB/T79
SW ends:ASME B16.11
NPT ends:ASME B1.20.1
- 4、Pressure and temperature:ASME B16.34
- 5、Inspection and test:API598
- 6、Structure feature:B.B；OS&Y-F.P

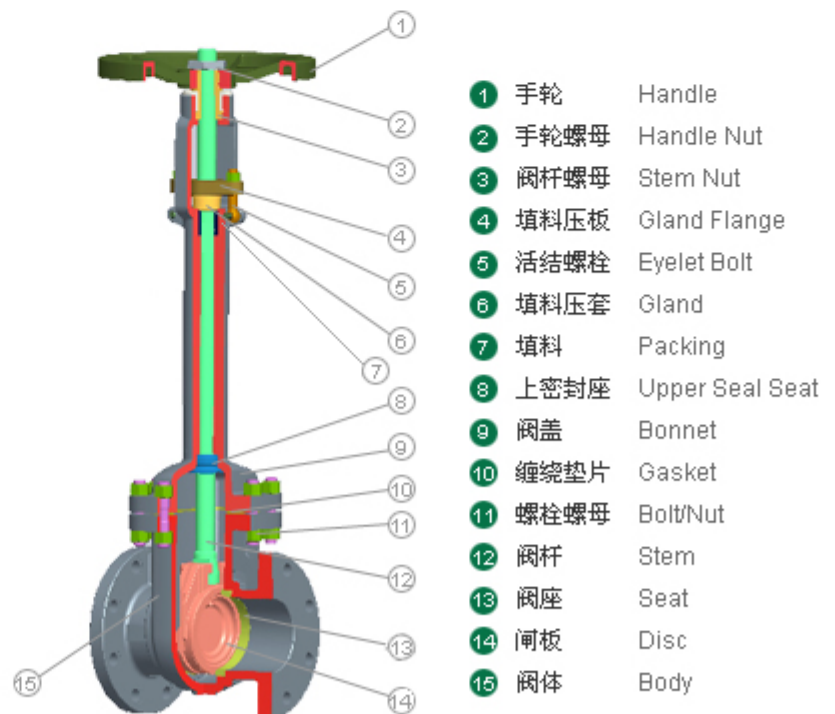
In various types of valve, gate valve is the most widely used one. Gate valves are closed (gate to the vertical axis) along the passage direction, to open or close the valve purpose. In main lines as connected or cut open, namely with medium or fully closed. Do not use valves for throttling commonly, it can be used for high temperature and high pressure, low pressure and can also be used to, and can be used in a variety of different medium. Gate valves containing particles generally used for sex, scar, viscous medium in pipelines.

Gate valves has the following advantages:

- 1.Fluid resistance is small, safe and reliable;
- 2.And open or closed needed less torque;
- 3.And can be used in the medium to two direction of flow of ring road network, i.e. the media is not restricted to;
- 4.Open, sealing the erosion by working medium than globe valves are small;
- 5.And form is simple, easy to casting and machining;
- 6.And structural length.

Gate valves also has some shortcomings, mainly are:

- 1.Size, and shape is larger, the height of open space are needed to install;
- 2.In the process of opening and closing sealing, have relatively friction and wear, easy cause scratches;
- 3.And there are two general gate seat, give processing, polishing a maintenance added some difficulty;
- 4.Pened and closed for a long time .



低温闸阀

Low Temperature Gate Valve

结构特征 Structure Feature

阀体和阀盖

阀体和阀盖的设计经过严格的计算，具有良好的强度和刚度，优异的密闭性和良好的过流能力。阀盖安装了倒密封座，在全开状态使填料密封更为可靠并方便填料的更换。

Body and Bonnet

After being strictly calculated, design of body and bonnet possess good strength and rigidity, as well as excellent sealing performance and perfect flow ability. Valve bonnet is equipped back seat, enable sealing of packing to be more reliable under fully open and be convenient for the replacement of packing,

闸板

闸阀均采用了单体H型弹性闸板，对阀体变形具有良好的适用性，保证了闸阀密封的可靠性，减轻了阀杆极密封面因温差载荷引起的过载，尤其是避免了闸板因过载关紧而难以开启的现象。

Disc

Gate valve adopts single H cross-section flexible disc, which has excellent fitness to the deform of body, can guarantee the reliability of gate valve sealing. The design can also reduce the overload caused by the difference in temperature load of stem and sealing. Particularly, it can avoid hard-to-open jam caused by the over load of disc

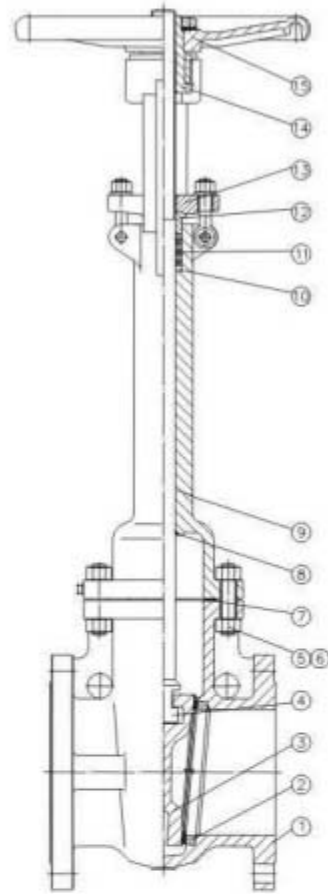
阀杆和阀杆螺母

阀杆和阀杆螺母的螺纹传动采用了适度的间隙配合和独特的牙型修正处理，保证阀驱动的灵活性。上装式阀杆螺母使阀门在开启时，即使卸下手轮后，闸板的位置也不会发生变化。阀杆和闸板间采用T型头连接，T型头和阀杆整体锻造成型，保证了足够的连接强度。

Stem and Stem Nut

The thread coordination of stem and stem nut adopts appropriate fit clearance and special thread remedy to ensure flexibility of the valve's actuation. While opening the valve, the top assembled stem nut can ensure that the opening position of the disc will not change at all, even though the handwheel is disassembled. The stem connection to the disc is a T-head design, which is integral with the stem, assure enough strength to the disc-to stem connection.

主要零件材质 Form of major parts materials



序号 No.	零件名称 Part name	材质 Material
1	阀体 Body	ASTM A352 LCB, LC3 ASTM A351 CF8
2	阀座 Seat	ASTM A182 F304
3	闸板 Wedge	ASTM A352 LCB, LC3 ASTM A351 CF8
4	阀杆 Stem	ASTM A182 F304
5	双头螺柱 Bolt	ASTM A320L7, B8
6	六角螺母 Nut	ASTM A1944, 8
7	垫片 Gasket	PTFE PTFE&stainless steel
8	上密封座 Back seat	ASTM A182 F304
9	阀盖 Bonnet	ASTM A352 LCB, LC3 ASTM A351 CF8
10	填料垫 Packing seat	ASTM A276 410, ASTM A182 F304
11	填料 Packing	PTFE, 柔性石墨 Graphite
12	填料压套 Stuffing cover	ASTM A276 410, ASTM A182 F304
13	填料压盖 Gland	ASTM A216 WCB ASTM A351 CF8
14	阀杆螺母 Yoke nut	铜合金 Copper alloy
15	手轮 Hand wheel	ASTM A47-32510

低温闸阀

Low Temperature Gate Valve

产品性能规范 Products Performance Specification

压力等级 Pressure grade		Class 150~2500
试验压力 Test pressure(MPa)	强度试验 Shell test	1.5×PN
	密封试验 Sealing test	1.1×PN
	气压密封试 Air test pressure	0.6MPa
工作温度 Working temperature	-196℃~+180℃	
工作介质 Working medium	水、油品、天然气、腐蚀性介质等 Water, oil, natural gas, corrosive medium etc	

主要尺寸和重量 Main dimension and weight

Class 150

LGV-150

规格 (NPS)	in	2	2 1/2	3	4	5	6	8	10	12	14	16	18	20	24	28	30	32	36
结构长度 (mm)	L	178	190	203	229	254	267	292	330	356	381	406	432	457	508	610	610	660	711
	L1	191	203	216	241	267	279	305	343	368	394	419	445	470	521	-	-	-	-
	L2	216	241	283	305	381	403	419	457	502	572	610	660	711	813	914	914	956	1060
中心高度 (mm)	H	510	550	590	670	750	800	890	1150	1285	1420	1550	1690	1840	2140	2300	2600	2830	3100
手轮直径 (mm)	W	200	200	250	280	300	300	350	400	450	500	600	680	750	800	-	-	-	-

Class 300

LGV-300

规格 (NPS)	in	2	2 1/2	3	4	5	6	8	10	12	14	16	18	20	24	28	30	32	36
结构长度 (mm)	L	216	241	283	305	381	403	419	457	502	762	838	914	991	1143	1346	1397	1524	1727
	L1	232	257	298	321	397	419	435	473	518	778	854	930	1010	1165	1372	1422	1553	1756
	L2	216	241	283	305	381	403	419	457	502	762	838	914	991	1143	1346	1397	1524	1727
中心高度 (mm)	H	515	565	615	690	770	820	915	1175	1305	1450	1580	1720	1860	2170	2340	2640	2870	3150
手轮直径 (mm)	W	200	200	250	300	300	350	400	450	500	550	680	750	920	-	-	-	-	-



低温闸阀

Low Temperature Gate Valve

Class 600

LGV-600

规格 (NPS)	in	2	2 1/2	3	4	5	6	8	10	12	14	16	18	20	24	28	30	32	36
结构长度 (mm)	L	292	330	356	432	508	559	660	787	838	889	991	1092	1194	1397				
	L1	295	333	359	435	511	562	664	791	841	892	994	1095	1200	1407				
	L2	292	330	356	432	508	559	660	787	838	889	991	1092	1194	1397				
中心高度 (mm)	H	540	595	640	730	810	865	950	1205	1345	1500	1640	1760	1960	2210				
手轮直径 (mm)	W	200	250	280	300	400	450	500	680	750	700	-	-	-	-				

Class 900

LGV-900

规格 (NPS)	in	2	2 1/2	3	4	5	6	8	10	12	14	16	18	20	24
结构长度 (mm)	L	368	419	381	457	559	610	737	838	965	1029	1130			
	L1	371	422	384	460	562	613	740	841	968	1039	1140			
	L2	368	419	381	457	559	610	737	838	965	1029	1130			
中心高度 (mm)	H	605	640	700	760	850	905	1000	1255	1400	1590	1710			
手轮直径 (mm)	W	300	300	350	400	500	600	600	650	700	-	-			

Class 1500

LGV-1500

规格 (NPS)	in	2	2 1/2	3	4	5	6	8	10	12	14	16	18	20	24
结构长度 (mm)	L	368	419	470	546	673	705	832	991	1130	1257	1384			
	L1	371	422	473	549	676	711	842	1001	1146	1276	1406			
	L2	368	419	470	546	673	705	832	911	1130	1257	1384			
中心高度 (mm)	H	625	680	750	800	900	960	1060	1300	1505	1700	1800			
手轮直径 (mm)	W	300	350	400	550	-	-	-	-	-	-	-			

上海伟伦阀门集团有限公司

Shanghai Weilun Valve Group Co., Ltd

电话: + (86) 21 62608686

传真: + (86) 21 63030787

地址: 上海市普陀区中山北路2911号中关村科技大厦26楼。

邮编: 200063

联系邮箱: sales@weilunnc.com

Tel: + (86) 21 62608686

Fax: + (86) 21 63030787

Add: 26th Floor, No.2911, North Zhongshan Rd, Shanghai, P.R.China

Zip code: 200063

Email: sales@weilunnc.com